



# MACRO OPTOELECTRONIC CO., LIMITED

Industrial Park, Chongqing Road, Fuyong, Bao'an District, Shenzhen, Guangdong, China  
 Tel: +86-755-36936875, Fax: +86-755-23212809, Email: info@macroledlight.com

## Product Specification

Product Name	50W LED High Bay Light	
Product Model	MHB-400-50W-B	

Optical Parameters		Electrical Parameters	
LED Chip Brand	Bridgelux from USA	Input Voltage	AC 100~277V
LED Chip Type	50W integrated light source	Power Frequency	47~63Hz
LED Chip Quantity	1 piece	Output Voltage	DC 24~36V
Color Temperature	5500~6500K (2500~6500K optional)	Output Current	1.6A (Constant Current)
Fixture Efficiency	≥90%	Total Power Consumption	58W±5W
Light Efficiency	≥80lm/W	LED Power Consumption	50W±5W
Luminous Flux	4500~5500lm	Power Efficiency	≥85%
Color Rendering Index	≥70	Power Factor	≥0.95
Beam Angle	90°	Total Harmonic Distortion	≤15%

### Others

Heat Sink Surface Temperature	51°C (Ambient Temperature 30°C)	Lifespan	≥50000 Hrs
Luminaire Base Temperature	55°C (Ambient Temperature 30°C)	Fixture Material	Aluminum Alloy
Working Temperature (Ambient)	-25~+45°C	Net Weight	3.2kg±0.2kg
Working Humidity (Ambient)	15%~90%RH	Outlook Dimensions	L400mm×W400mm×H420mm
Storing Temperature	-30~+65°C	Light Body Package Outer Dimensions	1 piece/package: L340mm×W260mm×H260mm
HID Replacment	150W		6 pcs/package: L740mm×W340mm×H500mm
IP Level	IP30	Reflector Package Outer Dimensions	10 pcs/package: L480mm×W480mm×H395mm

Light Distribution Curve	Luminance Intensity	Physical Dimensions
<p>Round Spot</p>	<p>高度 (m)      照度 (LUX)</p> <p>4.0m      201LUX</p> <p>5.0m      128LUX</p> <p>6.0m      88LUX</p> <p>7.0m      64LUX</p> <p>8.0m      49LUX</p> <p>Recommended height for hanging: 4~8m                      Luminance intensity range: 49~201LUX</p>	



# MACRO OPTOELECTRONIC CO., LIMITED

Industrial Park, Chongqing Road, Fuyong, Bao'an District, Shenzhen, Guangdong, China  
 Tel: +86-755-36936875, Fax: +86-755-23212809, Email: info@macroledlight.com

## Product Specification

Product Name	100W LED High Bay Light		
Product Model	MHB-400-100W-B		
Optical Parameters		Electrical Parameters	
LED Chip Brand	Bridgelux from USA	Input Voltage	AC 100~277V
LED Chip Type	100W integrated light source	Power Frequency	47~63Hz
LED Chip Quantity	1 piece	Output Voltage	DC 26~36V
Color Temperature	5500~6500K (2500~6500K optional)	Output Current	2.8A (Constant Current)
Fixture Efficiency	≥90%	Total Power Consumption	100W±5W
Light Efficiency	≥80lm/W	LED Power Consumption	88W±5W
Luminous Flux	8500~10000lm	Power Efficiency	≥85%
Color Rendering Index	≥70	Power Factor	≥0.95
Beam Angle	90°	Total Harmonic Distortion	≤15%
Others			
Heat Sink Surface Temperature	50°C (Ambient Temperature 30°C)	Lifespan	≥50000 Hrs
Luminaire Base Temperature	59°C (Ambient Temperature 30°C)	Fixture Material	Aluminum Alloy
Working Temperature (Ambient)	-25~+45°C	Net Weight	4.9kg±0.2kg
Working Humidity (Ambient)	15%~90%RH	Outlook Dimensions	L400mm×W400mm×H550mm
Storing Temperature	-30~+65°C	Light Body Package Outer Dimensions	1 piece/package: L430mm×W260mm×H260mm
HID Replacment	250W		4 pcs/package: L500mm×W430mm×H500mm
IP Level	IP30	Reflector Package Outer Dimensions	10 pcs/package: L480mm×W480mm×H395mm
Light Distribution Curve	Luminance Intensity	Physical Dimensions	
<p>Round Spot</p>	<p>高度 (m)      照度 (LUX)</p> <p>7.0m      159LUX</p> <p>8.0m      119LUX</p> <p>9.0m      94LUX</p> <p>10.0m      76LUX</p> <p>11.0m      62LUX</p> <p>Recommended height for hanging: 7~10m          Luminance intensity range: 62~159LUX</p>		



# MACRO OPTOELECTRONIC CO., LIMITED

Appl. Industrial Park, Chongqing Road, Fuyong, Bao'an District, Shenzhen, Guangdong, China  
Tel: +86-755-36936875, Fax: +86-755-23212809, Email: info@macroledlight.com

## Product Specification

Product Name	120W LED High Bay Light	
Product Model	MHB-400-120W-B	

Optical Parameters		Electrical Parameters	
LED Chip Brand	Bridgelux from USA	Input Voltage	AC 100~277V
LED Chip Type	120W integrated light source	Power Frequency	47~63Hz
LED Chip Quantity	1 piece	Output Voltage	DC 26~38V
Color Temperature	5500~6500K recommend (2500~6500K optional)	Output Current	3.3A (Constant Current)
Fixture Efficiency	≥90%	Total Power Consumption	125W±5W
Light Efficiency	≥80lm/W	LED Power Consumption	108W±5W
Luminous Flux	9500~11500lm	Power Efficiency	≥86%
Color Rendering Index	≥70	Power Factor	≥0.95
Beam Angle	90°	Total Harmonic Distortion	≤15%

### Others

Heat Sink Surface Temperature	46°C (Ambient Temperature 30°C)	Lifespan	≥50000 Hrs
Luminaire Base Temperature	55°C (Ambient Temperature 30°C)	Fixture Material	Aluminum Alloy
Working Temperature (Ambient)	-25~+45°C	Net Weight	6.1kg±0.3kg
Working Humidity (Ambient)	15%~90%RH	Outlook Dimensions	L400mm×W400mm×H480mm
Storing Temperature	-30~+65°C	Light Body Package Outer Dimensions	1 piece/package: L340mm×W340mm×H390mm
HID Replacment	400W		
IP Level	IP30	Reflector Package Outer Dimensions	10 pcs/package: L480mm×W480mm×H395mm


Light Distribution Curve	Luminance Intensity	Physical Dimensions												
<p>Round Spot</p>	<table border="1"> <tr> <th>高度 (m)</th> <th>照度 (LUX)</th> </tr> <tr> <td>8.0m</td> <td>156LUX</td> </tr> <tr> <td>9.0m</td> <td>124LUX</td> </tr> <tr> <td>10.0m</td> <td>100LUX</td> </tr> <tr> <td>11.0m</td> <td>83LUX</td> </tr> <tr> <td>12.0m</td> <td>69LUX</td> </tr> </table> <p>Recommended height for hanging: 8~12m Luminance intensity range: 69~156LUX</p>	高度 (m)	照度 (LUX)	8.0m	156LUX	9.0m	124LUX	10.0m	100LUX	11.0m	83LUX	12.0m	69LUX	
高度 (m)	照度 (LUX)													
8.0m	156LUX													
9.0m	124LUX													
10.0m	100LUX													
11.0m	83LUX													
12.0m	69LUX													



# MACRO OPTOELECTRONIC CO., LIMITED

Hans Industrial Park, Chongqing Road, Fuyong, Bao'an District, Shenzhen, Guangdong, China  
Tel: +86-755-36936875, Fax: +86-755-23212809, Email: info@macroledlight.com

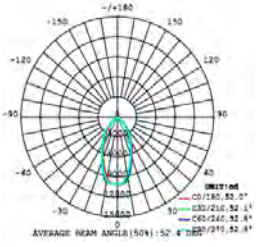

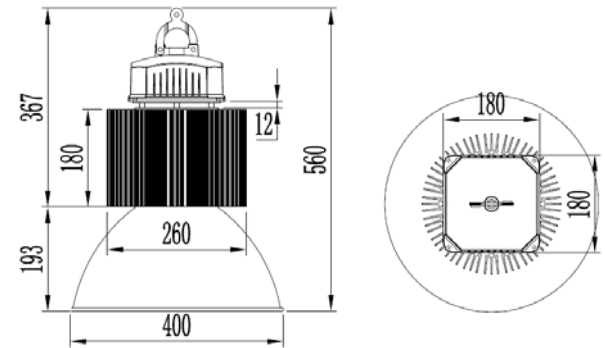
## Product Specification

Product Name	150W LED High Bay Light	
Product Model	MHB-400-150W-B	

Optical Parameters		Electrical Parameters	
LED Chip Brand	Bridgelux from USA	Input Voltage	AC 100~277V
LED Chip Type	30W integrated light source	Power Frequency	47~63Hz
LED Chip Quantity	4 pcs	Output Voltage	DC 26~38V
Color Temperature	5500~6500K (2500~5500K optional)	Output Current	4.2A (Constant Current)
Fixture Efficiency	≥90%	Total Power Consumption	152W±5W
Light Efficiency	≥80lm/W	LED Power Consumption	135W±5W
Luminous Flux	12000~15000lm	Power Efficiency	≥87%
Color Rendering Index	≥70	Power Factor	≥0.95
Beam Angle	90°	Total Harmonic Distortion	≤15%

### Others

Heat Sink Surface Temperature	53°C (Ambient Temperature 30°C)	Lifespan	≥50000 Hrs
Luminaire Base Temperature	60°C (Ambient Temperature 30°C)	Fixture Material	Aluminum Alloy
Working Temperature (Ambient)	-25~+45°C	Net Weight	8.0kg±0.4kg
Working Humidity (Ambient)	15%~90%RH	Outlook Dimensions	L400mm×W400mm×H560mm
Storing Temperature	-30~+65°C	Light Body Package Outer Dimensions	1 piece/package: L340mm×W340mm×H470mm
HID Replacment	400W		
IP Level	IP30	Reflector Package Outer Dimensions	10 pcs/package: L480mm×W480mm×H395mm

Light Distribution Curve	Luminance Intensity	Physical Dimensions
 <p>Round Spot</p>	 <p>高度 (m)      照度 (LUX)</p> <p>8.0m      168LUX</p> <p>9.0m      132LUX</p> <p>10.0m      107LUX</p> <p>11.0m      88LUX</p> <p>12.0m      74LUX</p> <p>Recommended height for hanging: : 8~12m Luminance intensity range: 74~168LUX</p>	



# MACRO OPTOELECTRONIC CO., LIMITED

Acadans Industrial Park, Chongqing Road, Fuyong, Bao'an District, Shenzhen, Guangdong, China  
Tel: +86-755-36936875, Fax: +86-755-23212809, Email: info@macroledlight.com

## Product Specification

Product Name	200W LED High Bay Light	
Product Model	MHB-400-200W-B	

Optical Parameters		Electrical Parameters	
LED Chip Brand	Bridgelux from USA	Input Voltage	AC 100~277V
LED Chip Type	40W integrated light source	Power Frequency	47~63Hz
LED Chip Quantity	4 pcs	Output Voltage	DC 26~38V
Color Temperature	5500~6500K (2500~6500K optional)	Output Current	5.6A (Constant Current)
Fixture Efficiency	≥90%	Total Power Consumption	198W±8W
Light Efficiency	≥80lm/W	LED Power Consumption	175W±8W
Luminous Flux	17000~20000lm	Power Efficiency	≥88%
Color Rendering Index	≥70	Power Factor	≥0.95
Beam Angle	90°	Total Harmonic Distortion	≤15%

### Others

Heat Sink Surface Temperature	54°C (Ambient Temperature 30°C)	Lifespan	≥50000 Hrs
Luminaire Base Temperature	61°C (Ambient Temperature 30°C)	Fixture Material	Aluminum Alloy
Working Temperature (Ambient)	-25~+45°C	Net Weight	10.5kg±0.4kg
Working Humidity (Ambient)	15%~90%RH	Outlook Dimensions	L400mm×W400mm×H640mm
Storing Temperature	-30~+65°C	Light Body Package Outer Dimensions	1 piece/package: L340mm×W340mm×H550mm
HID Replacment	1000W		
IP Level	IP30	Reflector Package Outer Dimensions	10 pcs/package: L480mm×W480mm×H395mm

Light Distribution Curve	Luminance Intensity	Physical Dimensions
<p>Round Spot</p>	<p>高度 (m)      照度 (LUX)</p> <p>10.0m      181LUX</p> <p>11.0m      156LUX</p> <p>12.0m      127LUX</p> <p>13.0m      115LUX</p> <p>14.0m      102LUX</p> <p>Recommended height for hanging: 10~14m Luminance intensity range: 102~181LUX</p>	